




10
ATLAS 1919 - 2019

ATLAS
SINCE 1919

**STABLE.
STRONG.
STEADY.**

-  16.2 t - 18.5 t
-  105 kW (143 HP)
-  0.7 - 1.1 m³



WHEELED EXCAVATOR 165Wsr^{blue}

WWW.ATLASGMBH.COM

TECHNICAL SPECIFICATION 165Wsr

Technical specifications

ENGINE

Power105 kW (143 HP)	Number of cylinders 4	Generator..... 24 V / 100 A
RPM 1800/min	Bore / cylinder stroke 101 / 126	Starter..... 24 V / 4 kW
Make / modelDeutz TCD 4.1 (Tier 4F)	Cooling system Water-cooled	
Design..... Turbocharger	Air filter..... Dry air filter	
Displacement..... 4038 cm ³	Battery 2 x 12 V / 100 Ah	

HYDRAULIC SYSTEM

• AWE 5 system (Load sensing)	• Suction valves for all work functions	• 2 additional circuits for additional consumer loads possible
• Load limit controlled high-performance pump	• Load-retaining and fine lowering valves in lifting circuit	• Max. oil flow240 l/min
• Fuel-efficient flow-on-demand control	• Pipe break protection valves for lifting and articulated cylinders	• Max. operating pressure320 bar
• Sensitive, proportional, independent control	• Grab / grab-rotating function equipped as standard	• Operating modes: 3 pre-programmed modes (Fine, Eco, Power)
• Primary and secondary protection against overload		

SWING ASSEMBLY

A hydrostatic drive with a 2-tier planetary gear and an axial piston motor acts like a wear-resistant service brake. Additional spring-mechanism multi-disc brake as a parking brake.

Axial piston motor with priority valve	• Max. swing speed 9/min
Planetary transmission	• Swing torque 41 kNm
Automatically controlled multi-disc brake	

TRACTION DRIVE AND BRAKES

• Variable displacement motor	Automotive drive and cruise control:	• Tractive force..... 87 kN
• Power-shift transmission	• Maximum speed..... 20 km/h	• Max. gradeability..... 60 %
• Double-acting brake valve	• Terrain speed..... 5 km/h	• Dual circuit brake system Multi-disc
• Driving direction pre-selection via buttons in joystick	• Crawling speed..... 1 km/h	• Parking brake Multi-disc
	• High-speed option..... 36 km/h	• ZF axles

UNDERCARRIAGE

• 28 t special excavator axles	• 8 tyres 10.00 - 20	• 4 tyres (optional) 710 - 22.5
• Steering axle with automatic oscillating axle blocking		

FILL CAPACITIES

• Fuel tank 250 litres	• Engine oil..... 10 litres	• Hydraulics system 210 litres
• Cooling system..... 35 litres	• Hydraulic tank 175 litres	• Ad Blue® 32 litres

DRIVER'S CAB

• Meets latest safety standards ROPS	CONTROL:	CLIMATE CONTROL:
• Extra large entry zone	• Ergonomic joysticks with proportional slide control	• Air conditioning with Climatronic
• Spacious leg room	• Slim steering column, height and tilt adjustable	• Very good air distribution through optimally arranged nozzles
• Excellent circumferential visibility	• Indicators, controls and operating switches are clearly arranged	
• Preparation for radio installation with mute function		SOUND LEVELS:
	MONITORING:	• ISO 6396 (L _p A) in driver's cab 72 dB(A)
DRIVER'S SEAT:	• Operating data appears display	• 2000/14 EG (L _w A) ambience level 97 dB(A)
• Air-cushioned comfort seat (optional seat heating)	• Automatic system for monitoring, warning and storage of data	
• Arm rests and lumbar support		
• Seat adjustable separately from console		

WORKING EQUIPMENT 165Wsr

Equipment

OPERATING WEIGHTS

	MONOBLOCK BOOM	ADJUSTABLE BOOM
Support dozer blade	16.1 t - 16.9 t	16.5 t - 17.5 t
blade / outriggers	16.5 t - 17.3 t	16.9 t - 18.0 t
4 support outriggers	17.2 t - 18.0 t	17.6 t - 18.6 t

Operating weight with driver, completely filled implement

EQUIPMENT

BASIC DEVICE Atlas 165Wsr (can be combined)

<ul style="list-style-type: none"> Wheel excavator 165Wsr with support and dozerblade (SDB) and 2 lifting cylinders (A 5.2) 	STANDARD EQUIPMENT:	<ul style="list-style-type: none"> Seat adjustable separately from console
<ul style="list-style-type: none"> Wheel excavator 165Wsr with quadruple claw support and 2 lifting cylinders (A 5.32) 	Engine:	<ul style="list-style-type: none"> Heat-absorbing glass, tinted windows
<ul style="list-style-type: none"> Wheel excavator 165Wsr with blade on rigid axle, 2 outriggers on steering axle and 2 lifting cylinders (A 5.33) 	<ul style="list-style-type: none"> Automatic idle 	<ul style="list-style-type: none"> Rear view security camera
<ul style="list-style-type: none"> Wheel excavator 165Wsr with blade on steering axle, 2 outriggers on rigid axle and 2 lifting cylinders (A 5.35) 	<ul style="list-style-type: none"> Diesel pre-filter 	<ul style="list-style-type: none"> Right side camera
* SDB = support and dozer blade	<ul style="list-style-type: none"> Engine monitoring Cold start assistance 	<ul style="list-style-type: none"> Automotive drive and cruise control Operating data display screen

BOOM:

<ul style="list-style-type: none"> Monoblock boom with stick cylinder 4.85 m (C6.4MG) 	Hydraulics:	<ul style="list-style-type: none"> Ready for electric cooling box Different options for storage, compartment for documents
<ul style="list-style-type: none"> Adjustable boom consisting of the base arm 1.87 m (C6.41) with adjustable cylinder and boom 3.10 m (C6.46) with stick cylinder 	<ul style="list-style-type: none"> Proportional grab/grab rotating function 	<ul style="list-style-type: none"> Bottle holder

STICKS:

<ul style="list-style-type: none"> Stick 2.15 m (D6.2) 	<ul style="list-style-type: none"> Accumulator for emergency lowering of the arm system Pipe break protection valves for lifting and articulated cylinders 	EQUIPMENT:
<ul style="list-style-type: none"> Stick 2.65 m (D6.3) 	<ul style="list-style-type: none"> Max. load-limit control Cylinder end-position damping 	<ul style="list-style-type: none"> Joint bearings in stick and bucket cylinders Combined lubricating points for swing bearing and arm equipment

BUCKET TIPPING CYLINDER:

<ul style="list-style-type: none"> Bucket tipping cylinder with bucket linkage (F 6.1) 	Cab:	UNDERCARRIAGE:
	<ul style="list-style-type: none"> Air conditioning Preparation for radio installation with mute function Slim steering column, height and tilt adjustable 	<ul style="list-style-type: none"> Power-shift transmission Wet disc brakes Tool box in the undercarriage

ADDITIONAL EQUIPMENT

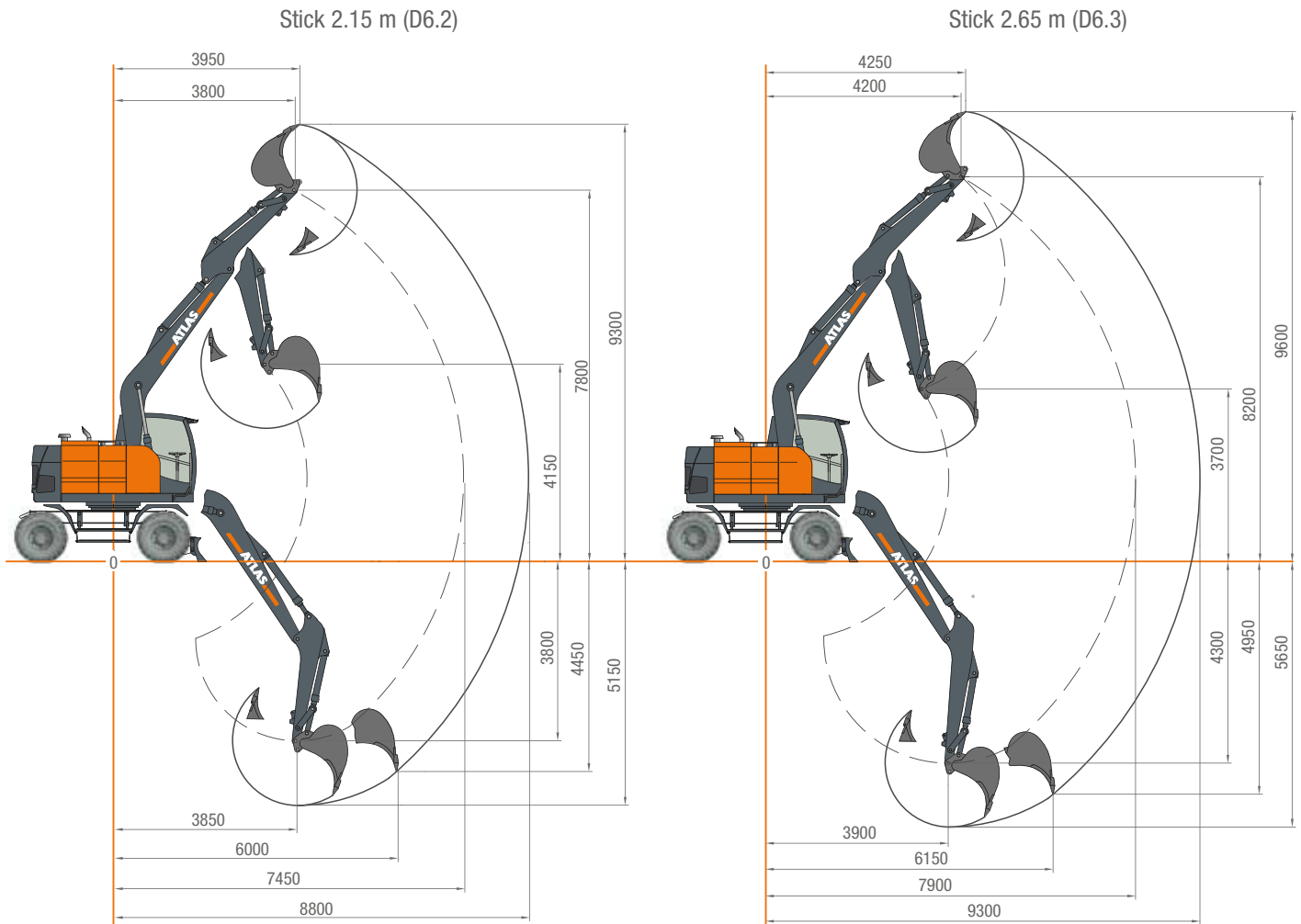
Engine:	Equipment:	<ul style="list-style-type: none"> LED working-lights
<ul style="list-style-type: none"> Refueling pump 	<ul style="list-style-type: none"> Automatically controlled and monitored electric central lubrication system for uppercarriage and arm equipment 	<ul style="list-style-type: none"> GPS/GSM telemetric system for monitoring of operating data, consumption, position
<ul style="list-style-type: none"> Engine speed adjustment via potentiometer Auxiliary heating 	<ul style="list-style-type: none"> Automatic working brake 	<ul style="list-style-type: none"> Proportional control of supports by slide in joystick
Hydraulics:	Cab:	Undercarriage:
<ul style="list-style-type: none"> Hydraulic kit, to operate front and rear supports separately Hydraulic kit, to operate supports per axle separately Biodegradable oil 	<ul style="list-style-type: none"> Cab protection guard Beacon light Heated driver's seat Radio/CD/MP3, front AUX in, USB Joystick steering Cab elevation Electric cooling box 	<ul style="list-style-type: none"> Wide axles (overall width 2750 mm) Wide dozer blade (overall width 2750 mm) High-speed option 37 km/h Wheel cover Gear protection
<ul style="list-style-type: none"> 270° camera system 		Other special equipment: See price list

ATTACHMENTS (SELECTION)

	Bucket F415	Bucket F416	Bucket F417	Bucket F648
Capacity SAE	0.67 m ³	0.82 m ³	0.92 m ³	1.12 m ³
Cutting width	850 mm	1000 mm	1100 mm	1300 mm

WORK AREAS 165Wsr

Work Areas Monoblock boom 4.85 m (C6.4MG)



STICK LENGTHS	2.15 m (D6.2)	2.65 m (D6.3)
A Max. cut-in height	9.30 m	9.60 m
B Max. pouring height	6.30 m	6.80 m
C Max. trench depth	5.15 m	5.65 m
D Max. vertical tapping depth	8.80 m	9.30 m
Max. bucket digging force	144 kN	144 kN
Max. stick digging force	82 kN	82 kN

Unit is equipped with monoblock boom 4.85 m (C6.4MG).

LIFTING CAPACITIES 165Wsr

Lifting Capacities Monoblock boom 4.85 m (C6.4MG) with Stick 2.15 m (D6.2) and Stick 2.65 m (D6.3)

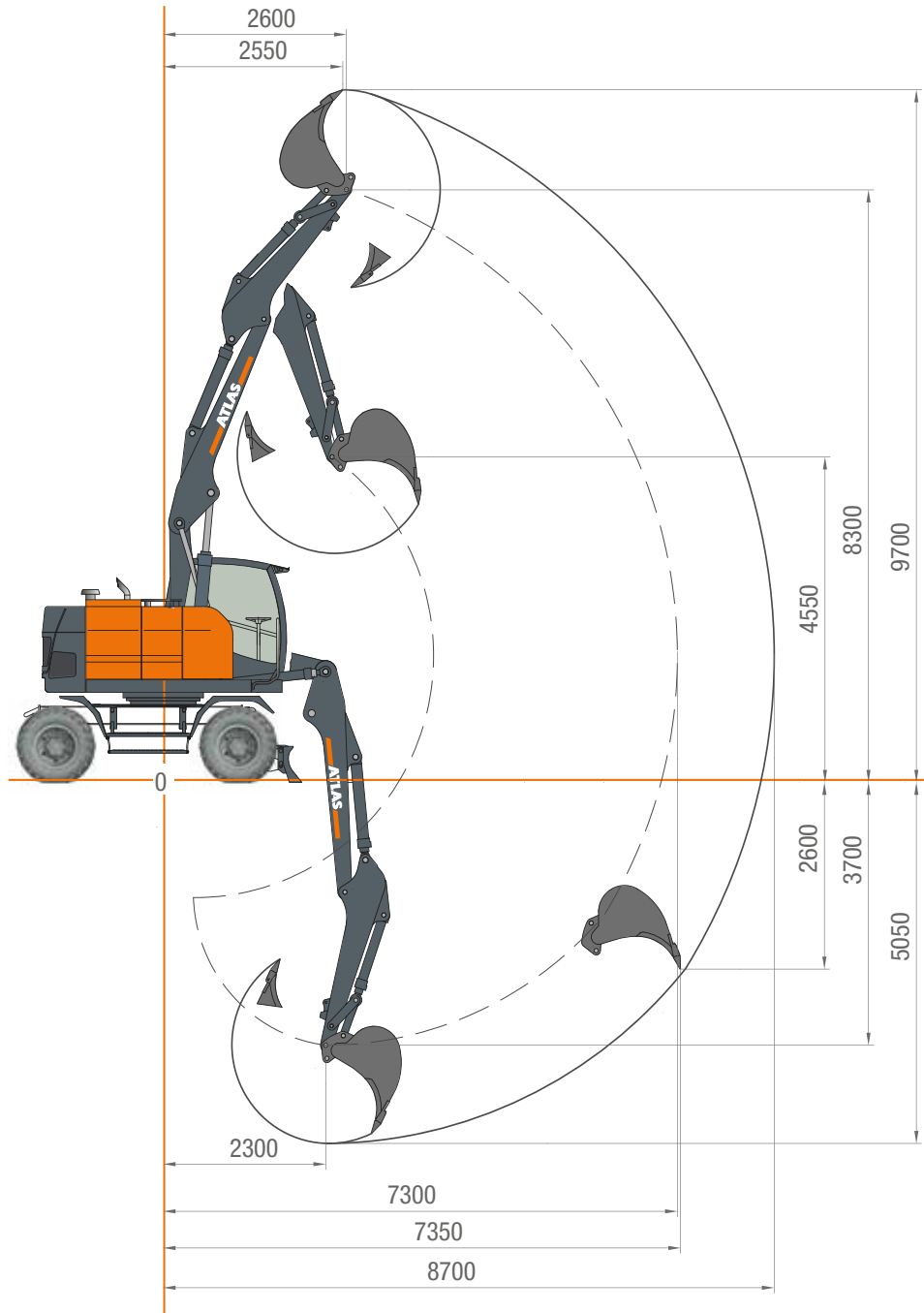
Lifting Capacities: Monoblock boom 4.85 m (C6.4MG) with Stick 2.15 m (D6.2). Max. Reach 8.80 m												
with optional 4.5t weight												
Height	Undercarriage type		2.5 m	3.0 m	3.5 m	4.0 m	4.5 m	5.0 m	5.5 m	6.0 m	6.5 m	7.0 m
+ 5.0 m	FRONT	SDB rear. supported	0	0	0	0	4237	4002	3816	3673	0	0
		SDB front. raised	0	0	0	0	4237	4002	3816	3673	0	0
	LATERAL	SDB supported	0	0	0	0	4237	*3847	*3314	*2883	0	0
		SDB raised	0	0	0	0	*3893	*3308	*2850	*2476	0	0
+ 4.0 m	FRONT	SDB rear. supported	8326	6748	5781	5123	4645	4284	4002	3778	3600	0
		SDB front. raised	8326	6748	5781	5123	4645	4284	4002	3778	3600	0
	LATERAL	SDB supported	8326	6748	5781	5123	*4359	*3724	*3229	*2830	*2498	0
		SDB raised	8326	6748	*5403	*4430	*3725	*3189	*2767	*2424	*2137	0
+ 3.0 m	FRONT	SDB rear. supported	0	0	6878	5851	5151	4641	4253	3947	3699	3492
		SDB front. raised	0	0	6878	5851	5151	4641	4253	3947	3699	*3364
	LATERAL	SDB supported	0	0	*5894	*4881	*4134	*3563	*3112	*2746	*2442	*2182
		SDB raised	0	0	*4930	*4120	*3508	*3033	*2654	*2343	*2082	*1857
+ 2.0 m	FRONT	SDB rear. supported	0	0	4581	6428	5579	4956	4481	4104	3796	3529
		SDB front. raised	0	0	4581	6428	5579	4956	4481	4104	*3696	*3318
	LATERAL	SDB supported	0	0	4581	*4583	*3918	*3403	*2992	*2656	*2377	*2139
		SDB raised	0	0	*4524	*3834	*3300	*2878	*2537	*2255	*2019	*1815
+ 1.0 m	FRONT	SDB rear. supported	0	0	4213	6609	5772	5119	4602	4182	3827	3508
		SDB front. raised	0	0	4213	6609	5772	5119	*4600	*4066	*3634	*3278
	LATERAL	SDB supported	0	0	4213	*4399	*3764	*3278	*2893	*2580	*2320	*2102
		SDB raised	0	0	4213	*3658	*3151	*2757	*2441	*2181	*1963	*1779
+ 0 m	FRONT	SDB rear. supported	0	3328	6213	6424	5687	5071	4558	4123	3736	3342
		SDB front. raised	0	3328	6213	6424	5687	5071	*4537	*4018	*3602	*3265
	LATERAL	SDB supported	0	3328	*5265	*4339	*3692	*3211	*2836	*2536	*2291	*2089
		SDB raised	0	3328	*4333	*3601	*3082	*2692	*2386	*2138	*1934	*1767
- 1.0 m	FRONT	SDB rear. supported	0	6606	6610	5944	5329	4782	4299	3857	3411	0
		SDB front. raised	0	6606	6610	5944	5329	4782	4299	3857	3411	0
	LATERAL	SDB supported	0	6606	*5298	*4347	*3686	*3200	*2826	*2531	*2296	0
		SDB raised	0	*5527	*4365	*3608	*3077	*2682	*2376	*2133	*1940	0
- 2.0 m	FRONT	SDB rear. supported	6508	6147	5666	5156	4659	4184	3718	3206	0	0
		SDB front. raised	6508	6147	5666	5156	4659	4184	3718	3206	0	0
	LATERAL	SDB supported	6508	6147	*5375	*4404	*3729	*3236	*2862	*2575	0	0
		SDB raised	6508	*5620	*4438	*3663	*3118	*2716	*2410	*2176	0	0
- 3.0 m	FRONT	SDB rear. supported	4706	4556	4273	3919	3514	3038	0	0	0	0
		SDB front. raised	4706	4556	4273	3919	3514	3038	0	0	0	0
	LATERAL	SDB supported	4706	4556	4273	3919	3514	3038	0	0	0	0
		SDB raised	4706	4556	4273	*3771	*3215	*2813	0	0	0	0

Lifting Capacities: Monoblock boom 4.85 m (C6.4MG) with Stick 2.65 m (D6.3). Max. Reach 9.30 m													
with optional 4.5t weight													
Height	Undercarriage type		2.5 m	3.0 m	3.5 m	4.0 m	4.5 m	5.0 m	5.5 m	6.0 m	6.5 m	7.0 m	7.5 m
+ 5.0 m	FRONT	SDB rear, supported	0	0	0	0	0	3684	3534	3410	3313	0	0
		SDB front, raised	0	0	0	0	0	3684	3534	3410	3313	0	0
	LATERAL	SDB supported	0	0	0	0	0	3684	*3374	*2936	*2573	0	0
		SDB raised	0	0	0	0	0	*3379	*2907	*2526	*2208	0	0
+ 4.0 m	FRONT	SDB rear, supported	0	0	0	4663	4282	3985	3747	3553	3394	3264	0
		SDB front, raised	0	0	0	4663	4282	3985	3747	3553	3394	3264	0
	LATERAL	SDB supported	0	0	0	4663	4282	*3791	*3278	*2868	*2530	*2244	0
		SDB raised	0	0	0	*4556	*3812	*3252	*2813	*2460	*2167	*1917	0
+ 3.0 m	FRONT	SDB rear, supported	0	7562	6261	5414	4817	4372	4029	3755	3532	3345	3183
		SDB front, raised	0	7562	6261	5414	4817	4372	4029	3755	3532	3345	*3040
	LATERAL	SDB supported	0	7562	*6098	*5004	*4213	*3616	*3148	*2771	*2459	*2197	*1968
		SDB raised	0	*6389	*5121	*4235	*3582	*3083	*2687	*2365	*2098	*1871	*1672
+ 2.0 m	FRONT	SDB rear, supported	0	0	7226	6105	5321	4745	4305	3956	3672	3432	3217
		SDB front, raised	0	0	7226	6105	5321	4745	4305	3956	3672	*3322	*3000
	LATERAL	SDB supported	0	0	*5606	*4664	*3968	*3434	*3010	*2666	*2380	*2139	*1930
		SDB raised	0	0	*4655	*3910	*3346	*2906	*2553	*2263	*2021	*1814	*1635
+ 1.0 m	FRONT	SDB rear, supported	0	2704	6144	6484	5638	4996	4495	4094	3761	3475	3208
		SDB front, raised	0	2704	6144	6484	5638	4996	4495	*4062	*3625	*3264	*2961
	LATERAL	SDB supported	0	2704	*5302	*4418	*3774	*3281	*2890	*2572	*2308	*2085	*1894
		SDB raised	0	2704	*4366	*3674	*3159	*2759	*2437	*2172	*1950	*1761	*1599
+ 0 m	FRONT	SDB rear, supported	0	4142	6810	6488	5688	5052	4537	4111	3749	3423	0
		SDB front, raised	0	4142	6810	6488	5688	5052	4537	*3988	*3570	*3227	0
	LATERAL	SDB supported	0	4142	*5191	*4292	*3656	*3180	*2806	*2504	*2257	*2050	0
		SDB raised	0	4142	*4260	*3553	*3045	*2660	*2355	*2106	*1900	*1728	0
- 1.0 m	FRONT	SDB rear, supported	0	6295	7016	6179	5478	4891	4395	3967	3579	3190	0
		SDB front, raised	0	6295	7016	6179	5478	4891	4395	*3961	*3553	3190	0
	LATERAL	SDB supported	0	6295	*5186	*4265	*3621	*3143	*2774	*2484	*2242	*2047	0
		SDB raised	0	*5364	*4256	*3528	*3012	*2625	*2324	*2082	*1885	*1725	0
- 2.0 m	FRONT	SDB rear, supported	0	6983	6229	5562	4976	4461	3998	3563	3109	0	0
		SDB front, raised	0	6983	6229	5562	4976	4461	3998	3563	3109	0	0
	LATERAL	SDB supported	0	*6702	*5241	*4298	*3640	*3157	*2786	*2496	*2267	0	0
		SDB raised	0	*5445	*4308	*3559	*3031	*2638	*2336	*2098	*1910	0	0
- 3.0 m	FRONT	SDB rear, supported	6104	5571	5056	4565	4099	3647	3181	0	0	0	0
		SDB front, raised	6104	5571	5056	4565	4099	3647	3181	0	0	0	0
	LATERAL	SDB supported	6104	5571	5056	*4385	*3713	*3222	*2853	0	0	0	0
		SDB raised	6104	5571	*4413	*3643	*3101	*2702	*2401	0	0	0	0

The specified max. loading capacities in kilogrammes (kg) include a stability of 25% or are calculated at 87% of the hydraulic lifting power, as per ISO10567. These values are applicable at the tip of the arm with optimum positioning of the corresponding arm system. Weights of attached load carrying accessories (grab, magnet, load hook, etc.) are not included with the load carrying values.
*Value limited due to excavator stability.

WORK AREAS 165Wsr

Work Areas Adjustable Boom, Base arm 1.87 m (C6.41) and Boom 3.10 m (C6.46) with Stick 2.15 m (D6.2)



STICK LENGTHS	2.15 m (D6.2)
A Max. cut-in height	9,70 m
B Max. pouring height	6,90 m
C Max. trench depth	5,05 m
D Max. vertical tapping depth	8,70 m
Max. bucket digging force	144 kN
Max. stick digging force	72 kN

Unit is equipped with standard adjustable boom: base arm 1.87 m (C6.41) and boom 3.10 m (C6.46).

LIFTING CAPACITIES 165Wsr

Lifting Capacities Adjustable Boom, Base arm 1.87 m (C6.41) and Boom 3.10 m (C6.46) with Stick 2.15 m (D6.2)

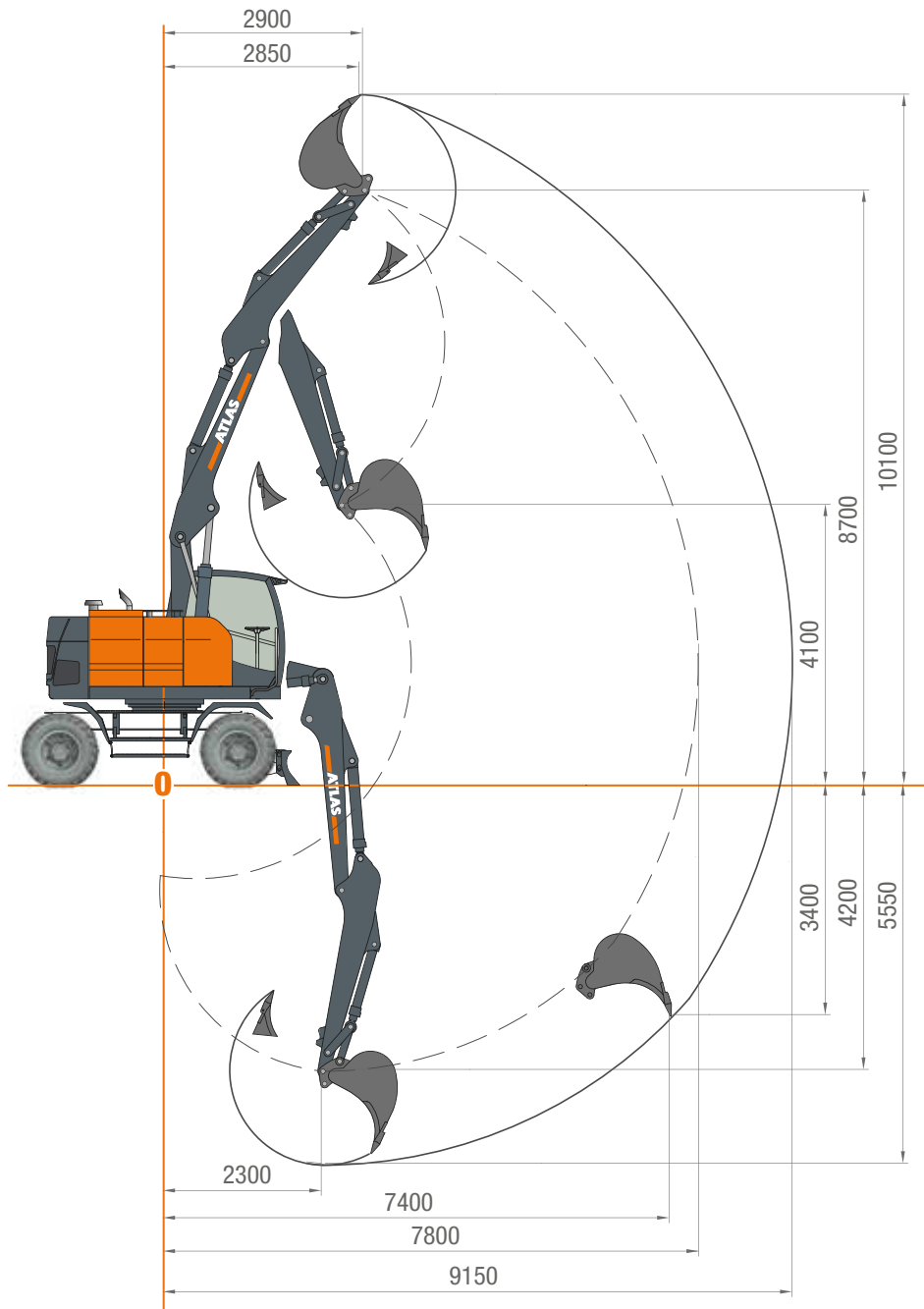
Lifting Capacities: Adjustable Boom, Base arm 1.87 m (C6.41) and Boom 3.10 m (C6.46) with Stick 2.15 m (D6.2). Max. Reach 8.70 m with optional 4.5t weight													
Height	Undercarriage type		2.5 m	3.0 m	3.5 m	4.0 m	4.5 m	5.0 m	5.5 m	6.0 m	6.5 m	7.0 m	
+ 6.0 m	FRONT		0	0	0	4494	4255	4069	3936	0	0	0	
			0	0	0	4494	4255	4069	3936	0	0	0	
	LATERAL		0	0	0	4494	4255	*3906	*3416	*3341	0	0	0
			0	0	0	4494	*3996	*3416	*2874	0	0	0	0
+ 5.0 m	FRONT		0	0	5204	4768	4429	4160	3945	3776	0	0	0
			0	0	5204	4768	4429	4160	3945	3776	0	0	0
	LATERAL		0	0	5204	4768	4429	*3878	3384	*2917	0	0	0
			0	0	5204	*4677	*3955	*3405	*2961	*2507	0	0	0
+ 4.0 m	FRONT		7987	6997	5995	5304	4798	4411	4107	3861	3662	0	
			7987	6997	5995	5304	4798	4411	4107	3861	3662	0	
	LATERAL		7987	6997	5995	*5217	*4418	3819	*3353	*2947	*2526	0	
			7987	*6871	*5498	*4557	*3876	*3359	*2951	*2536	*2163	0	
+ 3.0 m	FRONT		7859	7640	6991	5964	5253	4729	4326	4004	3739	3509	
			7859	7640	6991	5964	5253	4729	4326	4004	3739	*3369	
	LATERAL		7859	7640	6991	*5077	*4327	*3762	*3318	*2929	*2519	*2180	
			7859	*6603	*5319	*4441	3800	*3309	*2929	*2519	*2156	*1854	
+ 2.0 m	FRONT		8198	7838	7393	6466	5624	4999	4516	4129	3807	3519	
			8198	7838	7393	6466	5624	4999	4516	4129	3807	*3339	
	LATERAL		8198	*7516	*6019	5001	*4275	*3727	*3309	*2871	*2476	*2152	
			8198	*6482	*5228	*4378	*3757	*3287	*2900	*2463	*2113	*1827	
+ 1.0 m	FRONT		9448	8603	7643	6583	5755	5109	4592	4167	3815	3512	
			9448	8603	7643	6583	5755	5109	4590	*4117	*3736	*3292	
	LATERAL		9448	*7535	*6005	4996	4275	*3747	*3251	*2781	*2408	*2109	
			*8551	6485	*5227	*4394	*3762	*3237	*2786	*2374	*2047	*1784	
+ 0 m	FRONT		11048	9310	7737	6607	5766	5116	4600	4186	3841	3244	
			11048	9310	7737	6607	5766	5116	4600	4166	*3659	3244	
	LATERAL		*10225	*7627	*6054	*4993	*4227	*3642	*3105	*2677	*2338	*2077	
			*8336	*6322	*5078	*4224	*3595	*3107	*2644	*2274	*1978	*1754	
- 1.0 m	FRONT		11891	9454	7837	6691	5841	5194	4702	4168	3421	0	
			11891	9454	7837	6691	5841	5194	*4699	*4088	3421	0	
	LATERAL		*10078	*7427	*5872	*4843	*4106	*3470	*2976	*2594	*2299	0	
			*8122	*6123	*4906	*4080	*3479	*2940	*2519	*2192	*1940	0	
- 2.0 m	FRONT		12175	9707	8088	6914	5959	5104	4241	3104	0	0	
			12175	9707	8088	6914	5959	5104	4241	3104	0	0	
	LATERAL		*10013	*7352	*5803	*4716	*3929	*3349	*2911	*2573	0	0	
			*8063	*6053	*4840	*3958	*3308	*2823	*2456	*2172	0	0	

Lifting Capacities: Adjustable Boom, Base arm 1.87 m (C6.41) and Boom 3.10 m (C6.46) with Stick 2.15 m (D6.2). Max. Reach 8.70 m with optional 4.5t weight (wide axle in combination dozer blade 2.75m)												
Height	Undercarriage type		2.5 m	3.0 m	3.5 m	4.0 m	4.5 m	5.0 m	5.5 m	6.0 m	6.5 m	7.0 m
+ 6.0 m	FRONT		0	0	0	4494	4255	4069	3936	0	0	0
			0	0	0	4494	4255	4069	3936	0	0	0
	LATERAL		0	0	0	4494	4255	4069	*3934	0	0	0
			0	0	0	4494	4255	*4016	*3452	0	0	0
+ 5.0 m	FRONT		0	0	5204	4768	4429	4160	3945	3776	0	0
			0	0	5204	4768	4429	4160	3945	3776	0	0
	LATERAL		0	0	5204	4768	4429	4160	*3918	*3457	0	0
			0	0	5204	4768	4429	3984	*3479	*3019	0	0
+ 4.0 m	FRONT		7987	6997	5995	5304	4798	4411	4107	3861	3662	0
			7987	6997	5995	5304	4798	4411	4107	3861	3662	0
	LATERAL		7987	6997	5995	5304	4798	4411	*3874	*3439	*3012	0
			7987	6997	5995	5304	*4534	*3920	*3448	*3048	*2621	0
+ 3.0 m	FRONT		7859	7640	6991	5964	5253	4729	4326	4004	3739	3509
			7859	7640	6991	5964	5253	4729	4326	4004	3739	3509
	LATERAL		7859	7640	6991	*5890	*5003	4343	*3825	*3415	*3005	*2618
			7859	7640	*6250	*5205	*4437	*3861	*3409	*3031	*2614	*2268
+ 2.0 m	FRONT		8198	7838	7393	6466	5624	4999	4516	4129	3807	3519
			8198	7838	7393	6466	5624	4999	4516	4129	3807	*3519
	LATERAL		8198	7838	*6983	*5789	*4933	*4295	*3797	*3415	*2960	*2590
			8198	*7664	*6147	*5120	*4382	*3828	*3396	*2973	*2570	*2241
+ 1.0 m	FRONT		9448	8603	7643	6583	5755	5109	4592	4167	3815	3512
			9448	8603	7643	6583	5755	5109	4592	4167	3815	*3503
	LATERAL		9448	8603	*6971	*5772	*4922	*4294	3819	*3322	*2891	*2545
			9448	*7677	*6140	*5117	*4383	3840	*3361	*2883	*2503	*2197
+ 0 m	FRONT		11048	9310	7737	6607	5766	5116	4600	4186	3841	3244
			11048	9310	7737	6607	5766	5116	4600	4186	3841	3244
	LATERAL		11048	8887	*7038	5827	*4981	*4349	*3717	*3217	*2819	*2513
			*10371	*7777	*6213	*5143	*4362	*3764	*3217	*2780	*2433	*2166
- 1.0 m	FRONT		11891	9454	7837	6691	5841	5194	4702	4168	3421	0
			11891	9454	7837	6691	5841	5194	4702	4168	3421	0
	LATERAL		11891	*9057	*7137	*5845	*4934	*4172	*3585	*3131	*2780	0
			*10278	*7617	*6042	*4994	*4242	*3593	*3088	*2697	*2394	0
- 2.0 m	FRONT		12175	9707	8088	6914	5959	5104	4241	3104	0	0
			12175	9707	8088	6914	5959	5104	4241	3104	0	0
	LATERAL		12175	*9050	*7064	*5713	*4751	*4048	*3519	3104	0	0
			*10215	*7543	*5973	*4868	*4066	*3473	*3024	*2677	0	0

The specified max. loading capacities in kilogrammes (kg) include a stability of 25% or are calculated at 87% of the hydraulic lifting power, as per ISO10567. These values are applicable at the tip of the arm with optimum positioning of the corresponding arm system. Weights of attached load carrying accessories (grab, magnet, load hook, etc.) are not included with the load carrying values.
*Value limited due to excavator stability.

WORK AREAS 165Wsr

Work Areas Adjustable Boom, Base arm 1.87 m (C6.41) and Boom 3.10 m (C6.46) with Stick 2.65 m (D6.3)



STICK LENGTHS	2.65 m (D6.3)
A Max. cut-in height	10.10 m
B Max. pouring height	7.30 m
C Max. trench depth	5.55 m
D Max. vertical tapping depth	9.15 m
Max. bucket digging force	144 kN
Max. stick digging force	72 kN

Unit is equipped with standard adjustable boom: base arm 1.87 m (C6.41) and boom 3.10 m (C6.46).

LIFTING CAPACITIES 165Wsr

Lifting Capacities Adjustable Boom, Base arm 1.87 m (C6.41) and Boom 3.10 m (C6.46) with Stick 2.65 m (D6.3)

Lifting Capacities: Adjustable Boom, Base arm 1.87 m (C6.41) and Boom 3.10 m (C6.46) with Stick 2.65 m (D6.3). Max. Reach 9.20 m with optional 4.5t weight													
Height	Undercarriage type		2.5 m	3.0 m	3.5 m	4.0 m	4.5 m	5.0 m	5.5 m	6.0 m	6.5 m	7.0 m	7.5 m
+ 6.0 m	FRONT		0	0	0	0	3884	3733	3612	3522	0	0	0
			0	0	0	0	3884	3733	3612	3522	0	0	0
	LATERAL		0	0	0	0	3884	3733	3427	*2965	0	0	0
			0	0	0	0	3884	*3465	*3000	*2553	0	0	0
+ 5.0 m	FRONT		0	0	0	4342	4077	3859	3679	3529	3407	0	0
			0	0	0	4342	4077	3859	3679	3529	3407	0	0
	LATERAL		0	0	0	4342	4077	3859	*3406	*3000	*2603	0	0
			0	0	0	4342	*3992	*3431	2993	*2623	*2237	0	0
+ 4.0 m	FRONT		5186	5521	5421	4874	4458	4132	3869	3653	3474	3322	0
			5186	5521	5421	4874	4458	4132	3869	3653	3474	3322	0
	LATERAL		5186	5521	5421	4874	*4451	*3832	*3357	*2974	*2627	*2266	0
			5186	5521	5421	*4594	*3898	*3365	*2953	*2617	*2260	*1937	0
+ 3.0 m	FRONT		7987	7734	6428	5563	4946	4483	4121	3831	3590	3386	3201
			7987	7734	6428	5563	4946	4483	4121	3831	3590	*3374	*3039
	LATERAL		7987	*7727	*6158	*5094	*4334	*3756	*3205	*2944	*2610	*2258	*1962
			7987	*6664	5350	4452	*3800	*3298	*2908	*2597	*2244	*1929	*1664
+ 2.0 m	FRONT		8169	7911	7295	6182	5396	4812	4361	4001	3703	3448	3212
			8169	7911	7295	6182	5396	4812	4361	4001	*3693	*3354	*3013
	LATERAL		8169	*7494	*5991	*4977	*4246	3698	*3267	*2930	*2560	*2218	*1938
			8169	*6457	5211	*4351	*3727	*3254	2885	*2566	*2194	*1890	*1640
+ 1.0 m	FRONT		8952	8301	7523	6490	5654	5013	4509	4101	3759	3461	3203
			8952	8301	7523	6490	5654	5013	4509	4072	*3676	*3349	*2969
	LATERAL		8952	7440	5941	4934	*4219	*3679	*3269	*2876	*2479	*2158	*1897
			*8432	*6403	*5161	*4314	*3701	*3244	*2859	*2466	*2115	*1832	*1600
+ 0 m	FRONT		10317	9015	7611	6506	5680	5039	4526	4108	3764	3484	2988
			10317	9015	7611	6506	5680	5039	4526	4075	*3714	*3278	*2936
	LATERAL		*10035	7492	*5969	*4965	*4251	*3676	*3205	*2748	*2384	*2092	*1866
			*8470	*6418	*5148	*4275	*3633	*3138	*2741	*2341	*2023	*1767	*1570
- 1.0 m	FRONT		11530	9270	7686	6561	5723	5077	4568	4178	3784	3197	0
			11530	9270	7686	6561	5723	5077	4568	*4129	*3623	3197	0
	LATERAL		*10102	*7452	*5892	*4857	*4116	*3554	*3036	*2627	*2300	*2050	0
			*8140	*6143	*4922	*4092	*3486	*3020	*2576	*2223	*1941	*1725	0
- 2.0 m	FRONT		11882	9455	7843	6703	5878	5234	4618	3960	3095	0	0
			11882	9455	7843	6703	5878	5234	4618	3960	3095	0	0
	LATERAL		*9948	*7309	*5767	*4753	*3987	*3376	*2908	*2549	*2269	0	0
			*7999	*6009	*4803	*3991	*3362	*2848	*2452	*2147	*1911	*1637	0

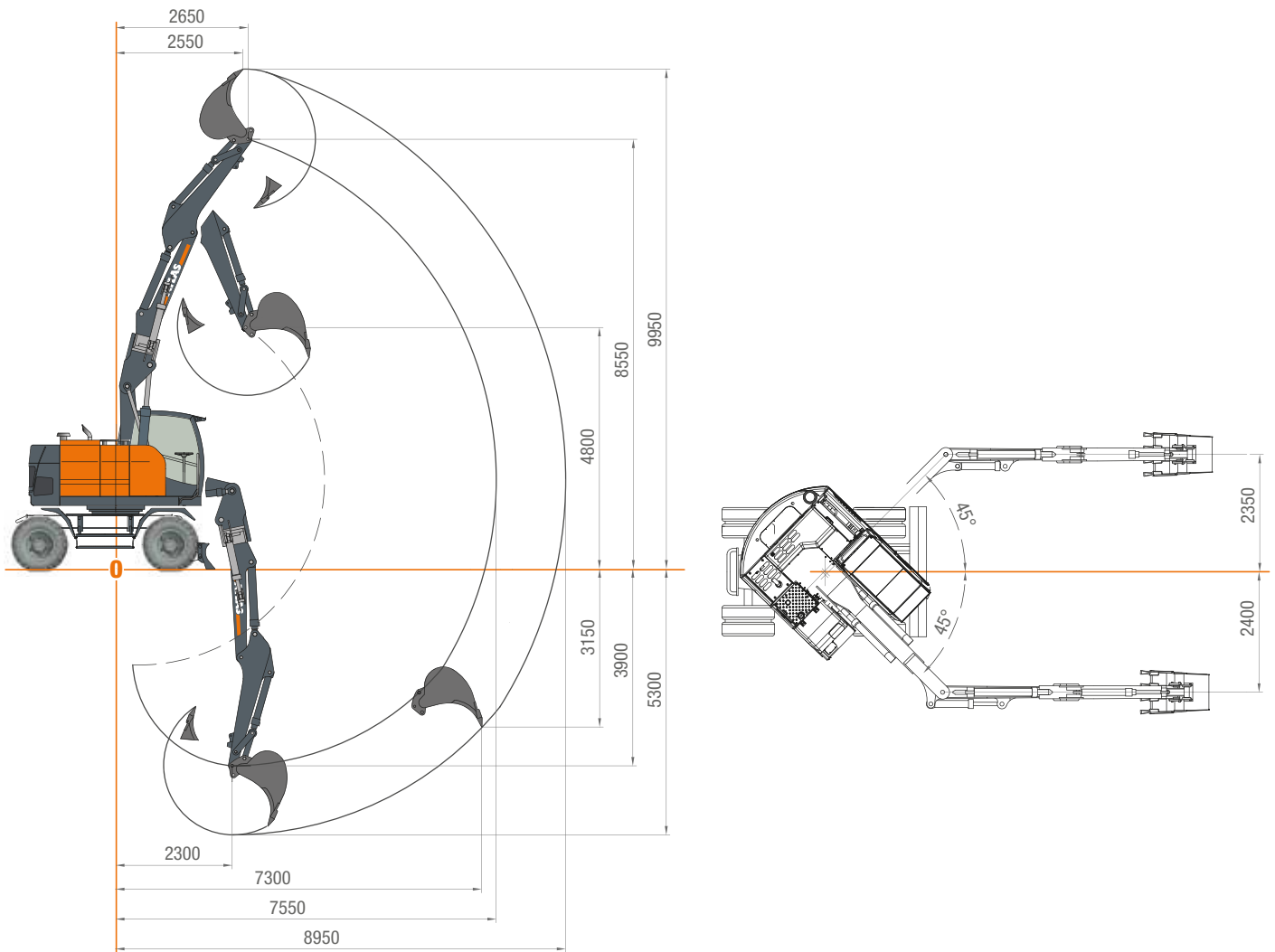
Lifting Capacities: Adjustable Boom, Base arm 1.87 m (C6.41) and Boom 3.10 m (C6.46) with Stick 2.65 m (D6.3). Max. Reach 9.20 m with optional 4.5t weight (wide axle in combination dozer blade 2.75m)

Lifting Capacities: Adjustable Boom, Base arm 1.87 m (C6.41) and Boom 3.10 m (C6.46) with Stick 2.65 m (D6.3). Max. Reach 9.20 m with optional 4.5t weight (wide axle in combination dozer blade 2.75m)													
Height	(wide axle in combination dozer blade 2.75m) Undercarriage type		2.5 m	3.0 m	3.5 m	4.0 m	4.5 m	5.0 m	5.5 m	6.0 m	6.5 m	7.0 m	7.5 m
+ 6.0 m	FRONT		0	0	0	0	3884	3733	3612	3522	0	0	0
			0	0	0	0	3884	3733	3612	3522	0	0	0
	LATERAL		0	0	0	0	3884	3733	3612	*3486	0	0	0
			0	0	0	0	3884	3733	*3525	*3066	0	0	0
+ 5.0 m	FRONT		0	0	0	4342	4077	3859	3679	3529	3407	0	0
			0	0	0	4342	4077	3859	3679	3529	3407	0	0
	LATERAL		0	0	0	4342	4077	3859	3679	*3475	3090	0	0
			0	0	0	4342	4077	3859	*3500	*3087	*2697	0	0
+ 4.0 m	FRONT		5186	5521	5421	4874	4458	4132	3869	3653	3474	3322	0
			5186	5521	5421	4874	4458	4132	3869	3653	3474	3322	0
	LATERAL		5186	5521	5421	4874	4458	4132	3869	*3437	*3076	*2706	0
			5186	5521	5421	4874	4458	*3938	*3451	*3061	*2721	*2354	0
+ 3.0 m	FRONT		7987	7734	6428	5563	4946	4483	4121	3831	3590	3386	3201
			7987	7734	6428	5563	4946	4483	4121	3831	3590	3386	3201
	LATERAL		7987	7734	6428	5563	4946	*4340	*3817	*3396	3055	*2698	*2362
			7987	7734	*6287	*5217	*4440	*3857	3395	3028	*2704	*2346	*2044
+ 2.0 m	FRONT		8169	7911	7295	6182	5396	4812	4361	4001	3703	3448	3212
			8169	7911	7295	6182	5396	4812	4361	4001	3703	3448	3201
	LATERAL		8169	7911	*6956	5767	4915	*4267	*3767	*3366	*3047	*2657	*2338
			8169	*7639	6128	5097	*4357	*3797	3359	*3010	*2654	*2306	*2020
+ 1.0 m	FRONT		8952	8301	7523	6490	5654	5013	4509	4101	3759	3461	3203
			8952	8301	7523	6490	5654	5013	4509	4101	3759	3461	*3162
	LATERAL		8952	8301	6897	*5715	*4868	*4235	*3751	*3373	*2964	*2596	*2296
			8952	*7583	6069	*5052	*4326	3779	*3356	*2978	*2573	*2246	*1979
+ 0 m	FRONT		10317	9015	7611	6506	5680	5039	4526	4108	3764	3484	2988
			10317	9015	7611	6506	5680	5039	4526	4108	3764	3484	2988
	LATERAL		10317	*8729	6924	*5729	4889	*4264	3810	*3290	*2868	*2529	*2264
			*10179	*7634	*6107	*5084	*4356	*3797	*3316	*2850	*2479	*2181	*1948
- 1.0 m	FRONT		11530	9270	7686	6561	5723	5077	4568	4178	3784	3197	0
			11530	9270	7686	6561	5723	5077	4568	4178	3784	3197	0
	LATERAL		11530	*8868	7039	5838	*4945	*4260	*3648	*3166	*2783	*2486	0
			*10301	*7640	*6061	*5008	*4251	*3676	*3148	*2730	*2396	*2138	0
- 2.0 m	FRONT		11882	9455	7843	6703	5878	5234	4618	3960	3095	0	0
			11882	9455	7843	6703	5878	5234	4618	3960	3095	0	0
	LATERAL		11882	*9007	*7029	*5753	*4813	*4076	*3517	*3086	*2751	0	0
			*10150	*7500	*5937	*4904	*4123	*3499	*3021	*2652	*2365	0	0

The specified max. loading capacities in kilogrammes (kg) include a stability of 25% or are calculated at 87% of the hydraulic lifting power, as per ISO10567. These values are applicable at the tip of the arm with optimum positioning of the corresponding arm system. Weights of attached load carrying accessories (grab, magnet, load hook, etc.) are not included with the load carrying values.
*Value limited due to excavator stability.

WORK AREAS 165Wsr

Work Areas Adjustable Boom 1.95 m (C6.41), Base arm 3.35 m (C6.47) with Stick 2.65 m (D6.3)
















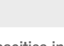




STICK LENGTHS		2.65 m (D6.3)
A	Max. cut-in height	9.95 m
B	Max. pouring height	7.15 m
C	Max. trench depth	5.30 m
D	Max. vertical tapping depth	8.95 m
	Max. bucket digging force	144 kN
	Max. stick digging force	72 kN

Unit is equipped with standard adjustable boom: base arm 1.95 m (C6.41) and boom 3.35 m (C6.47).

LIFTING CAPACITIES 165Wsr

Lifting Capacities Adjustable Boom, Base arm 1.95 m (C6.41) and Boom 3.35 m (C6.47) with Stick 2.65 m (D6.3)

Lifting Capacities: Adjustable Boom, Base arm 1.95 m (C6.41) and boom 3.35 m (C6.47) with Stick 2.65 m (D6.3). Max. reach 8.95 m
with optional 4.5t weight

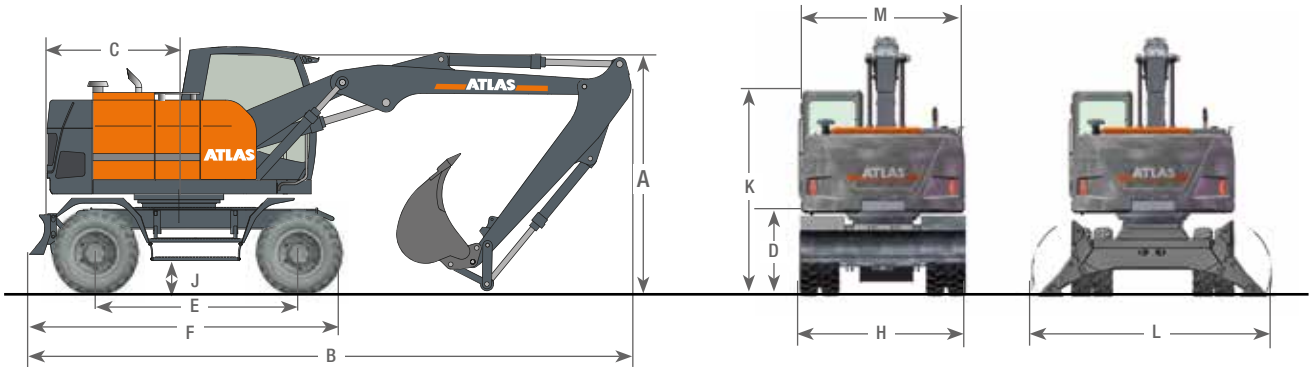
Height	Undercarriage type		with optional 4.5t weight										
			2.5 m	3.0 m	3.5 m	4.0 m	4.5 m	5.0 m	5.5 m	6.0 m	6.5 m	7.0 m	7.5 m
+ 5.0 m	FRONT 	SDB rear, supported	0	0	0	4283	3981	3736	3534	3366	3227	3116	0
		SDB front, raised	0	0	0	4283	3981	3736	3534	3366	3227	3116	0
	LATERAL 	SDB supported	0	0	0	4283	3981	3736	*3347	*2943	*2591	*2206	0
		SDB raised	0	0	0	4283	*3939	*3380	*2939	*2582	*2219	*1873	0
+ 4.0 m	FRONT 	SDB rear, supported	6712	6244	5401	4802	4352	4003	3724	3496	3306	3146	3009
		SDB front, raised	6712	6244	5401	4802	4352	4003	3724	3496	3306	3146	*2996
	LATERAL 	SDB supported	6712	6244	5401	4802	4352	*3753	*3281	*2903	2593	*2236	*1913
		SDB raised	6712	6244	5401	*4514	3816	3299	*2887	2555	*2242	*1903	*1611
+ 3.0 m	FRONT 	SDB rear, supported	6898	6900	6341	5441	4805	4329	3960	3665	3421	3215	3034
		SDB front, raised	6898	6900	6341	5441	4805	4329	3960	3665	3421	3215	*2979
	LATERAL 	SDB supported	6898	6900	*5978	*4954	4217	*3652	*3214	*2862	*2575	*2223	*1910
		SDB raised	6898	*6456	*5199	*4334	*3696	*3210	*2831	*2521	*2224	*1890	*1609
+ 2.0 m	FRONT 	SDB rear, supported	7381	7244	6910	5978	5200	4622	4176	3820	3527	3278	3056
		SDB front, raised	7381	7244	6910	5978	5200	4622	4176	3820	3527	*3238	*2965
	LATERAL 	SDB supported	7381	*7203	*5788	*4821	*4112	*3583	*3166	*2835	*2538	*2176	*1877
		SDB raised	7381	*6230	*5038	*4212	3608	*3150	2790	*2508	*2167	*1844	*1576
+ 1.0 m	FRONT 	SDB rear, supported	8206	7726	7074	6198	5402	4787	4301	3907	3578	3294	3057
		SDB front, raised	8206	7726	7074	6198	5402	4787	4301	3907	3578	3294	*2908
	LATERAL 	SDB supported	8206	7160	*5730	*4763	*4078	*3558	*3157	*2862	*2442	*2104	*1824
		SDB raised	8122	*6173	4985	*4167	3580	*3134	2798	*2449	*2073	*1774	*1524
+ 0 m	FRONT 	SDB rear, supported	9626	8499	7264	6202	5411	4798	4309	3909	3580	3321	3006
		SDB front, raised	9626	8499	7264	6202	5411	4798	4309	*3905	*3553	*3217	*2852
	LATERAL 	SDB supported	9626	*7242	*5772	*4802	*4109	*3602	*3141	*2713	*2327	*2019	*1772
		SDB raised	*8186	*6225	*5005	*4163	*3542	*3060	*2671	*2301	*1962	*1690	*1473
- 1.0 m	FRONT 	SDB rear, supported	10954	8889	7355	6269	5463	4843	4352	3965	3656	3228	0
		SDB front, raised	10954	8889	7355	6269	5463	4843	4352	3965	*3551	*3141	0
	LATERAL 	SDB supported	*9805	*7242	*5733	*4731	*4011	*3464	*2986	*2556	*2215	*1948	0
		SDB raised	*7848	*5931	*4759	*3960	*3376	*2926	*2521	*2148	*1852	*1621	0
- 2.0 m	FRONT 	SDB rear, supported	11452	9093	7528	6422	5609	5022	4496	3949	3286	0	0
		SDB front, raised	11452	9093	7528	6422	5609	5022	4496	3949	3286	0	0
	LATERAL 	SDB supported	*9651	*7092	*5597	*4614	*3915	*3300	*2816	*2443	*2152	0	0
		SDB raised	*7707	*5791	*4630	*3848	*3284	*2767	*2356	*2038	*1791	0	0
- 3.0 m	FRONT 	SDB rear, supported	11843	9472	7856	6601	5595	4700	3812	2744	0	0	0
		SDB front, raised	11843	9472	7856	6601	5595	4700	3812	2744	0	0	0
	LATERAL 	SDB supported	*9688	*7102	*5562	*4484	*3729	*3170	*2745	*2421	0	0	0
		SDB raised	*7741	*5800	*4596	*3724	*3105	*2641	*2287	*2016	0	0	0

The specified max. loading capacities in kilogrammes (kg) include a stability of 25% or are calculated at 87% of the hydraulic lifting power, as per ISO10567. These values are applicable at the tip of the arm with optimum positioning of the corresponding arm system. Weights of attached load carrying accessories (grab, magnet, load hook, etc.) are not included with the load carrying values.

*Value limited due to excavator stability.

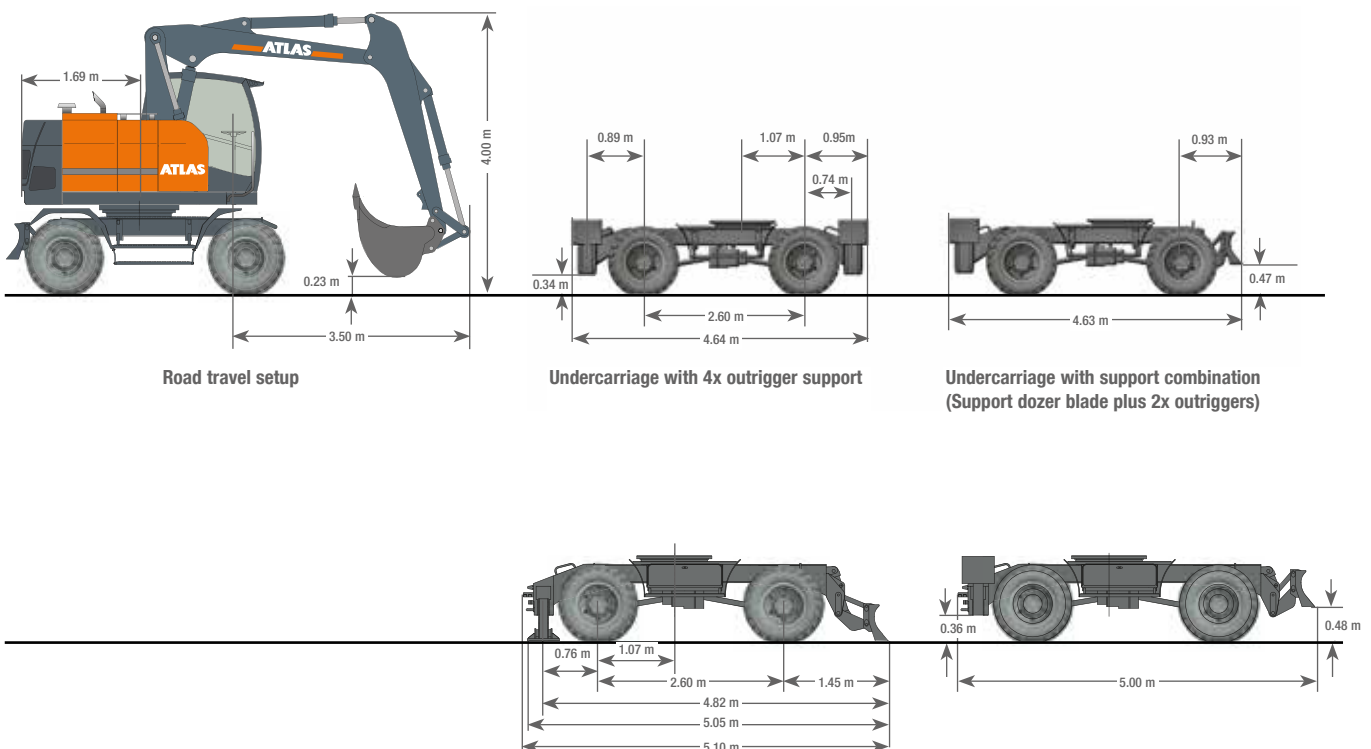
DIMENSIONS 165Wsr

Dimensions



A	TRANSPORT HEIGHT (with bucket)		
	Adjustable boom* with Stick 2.15 m.....	3.14 m	C TAIL SWING RADIUS.....1.69 m
	Adjustable boom* with Stick 2.65 m.....	3.14 m	D CLEARANCE UNDER COUNTERWEIGHT1.26 m
	Monoblock boom 4.85 m with Stick 2.15 m	3.14 m	E WHEEL BASE2.60 m
	Monoblock boom 4.85 m with Stick 2.65 m	3.14 m	F UNDERCARRIAGE LENGTH4.00 m
B	TRANSPORT LENGTH		H DOZER BLADE WIDTH2.54 m
	Adjustable boom* with Stick 2.15 m.....	7.69 m	J GROUND CLEARANCE.....0.45 m
	Adjustable boom* with Stick 2.65 m.....	8.20 m	K OVERALL HEIGHT OF CAB3.15 m
	Monoblock boom 4.85 m with Stick 2.15 m	7.60 m	L OUTRIGGERS WIDTH (extended).....3.50 m
	Monoblock boom 4.85 m with Stick 2.65 m	7,60 m	M OVERALL WIDTH OF SUPERSTRUCTURE.....2.50 m

* Adjustable boom: Base arm 1.87 m (C6.41) and boom 3.10 m (C6.46)



GANDERKESEE FACTORY

Atlas GmbH
Atlasstraße 6
D-27777 Ganderkesee,
Germany

Tel.: +49 (0) 4222 954 0
Fax: +49 (0) 4222 954 220
E-mail: info@atlasgmbh.com
www.atlasgmbh.com



VECHTA FACTORY

Atlas GmbH
Theodor-Heuss-Str. 3
D-49377 Vechta
Germany

T: +49 (0) 4441 954 0
F: +49 (0) 4441 954 299
E-mail: info@atlasgmbh.com
www.atlasgmbh.com



DELMENHORST FACTORY

Atlas GmbH
Stedinger Straße 324
D-27751 Delmenhorst
Germany

T: +49 (0) 4221 49 10
F: +49 (0) 4221 49 14 43
E-mail: info@atlasgmbh.com
www.atlasgmbh.com

ATLAS CRANES UK LTD NATIONAL SALES & SERVICE FACILITY

Wharfedale Road,
Euroway Trading Est.
Bradford, England BD4 6SL
United Kingdom

T: +44 8444 99 66 88
F: +44 1274 65 37 85
E-mail: atlasuk@atlasgmbh.com
www.atlas-cranes.co.uk
www.atlasgmbh.com





SINCE 1919
ATLAS



www.atlasgmbh.com

ATLAS GmbH
EXCAVATOR
Atlasstraße 6
D-27777 Ganderkesee, Germany
T: +49 (0) 4222 954 0
Fax: +49 (0) 4222 954 220
info@atlasgmbh.com